

## Sink S1000

Bowl on the left

Kitchen Sinks

Code: 1197 162



### DETAILS

Edge/Installation Type      Standard (8 mm Edge)

---

Finish      Foster brushed

---

Material      AISI 304 stainless steel

---

Texture      Foster brushed

---

Base      60-80 cm

---

Dimensions      970x500 mm

---

Standard fittings      Fixing hooks, gasket, drain, overflow and siphon, boxed packing

---

Mixer holes      1 standard hole - 2nd hole on request

---

Built-in hole      950x480 mm

---

Drainer Yes

---

Width 97 cm

---

Bowl dimension 340x400 + 170x340mm

---

Number of bowls 2 bowls

---

Waste fitting 3,5" drain

---

## FEATURES

Sliding brackets

---

**Added value** Foster uses steel thicknesses higher than those used on average by other manufacturers. This is how, thanks to our long experience, we know how to make sinks of superior quality and with a better resistance to aging.

---

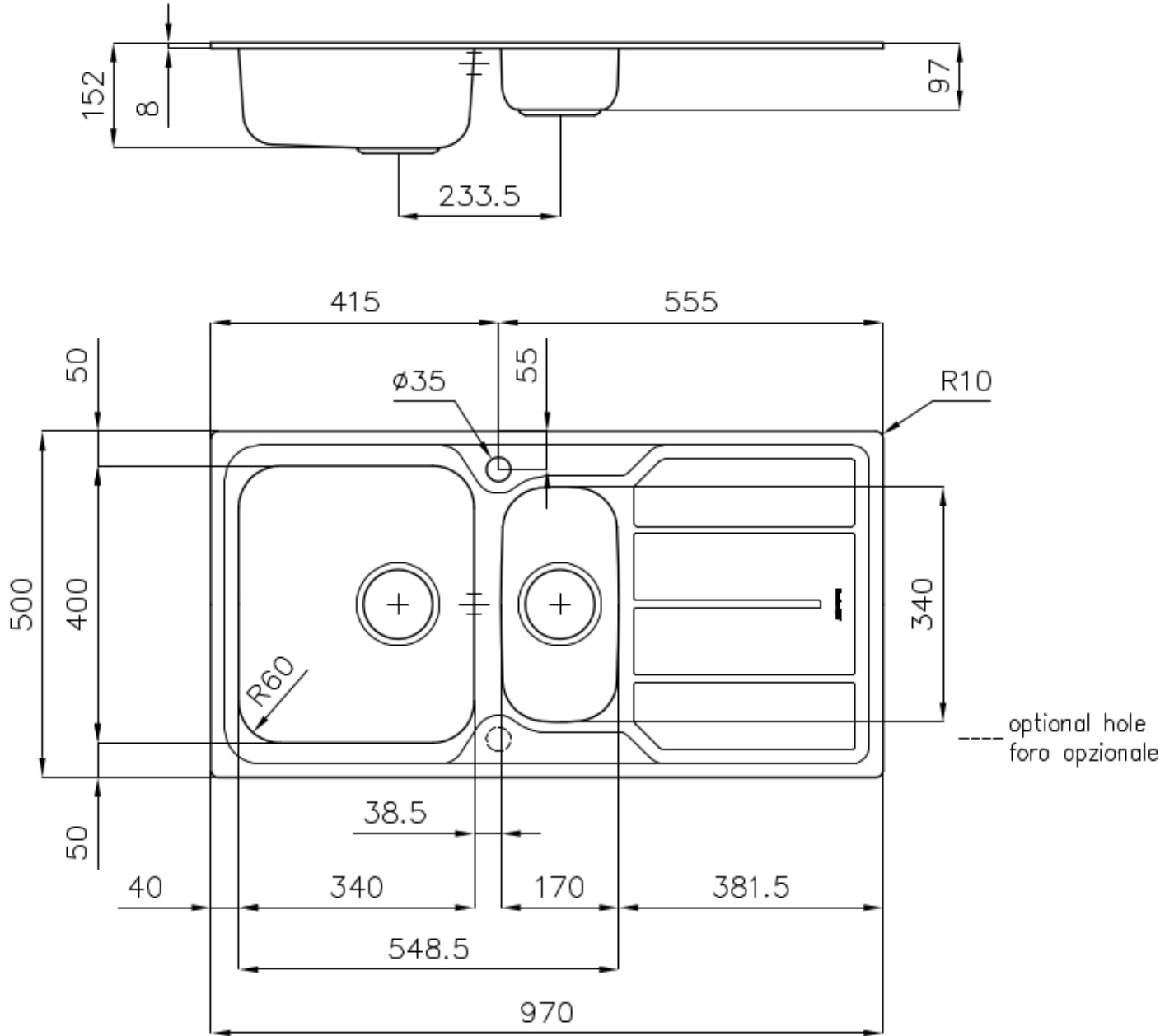
**Basket 3,5" waste fitting** The drain is equipped with a large 3.5" drain, with the practical basket cap that prevents the discharge of solid parts.

---

**2nd / 3rd hole available** The sink can be customized with the execution on request of additional holes, usable for double-hole mixers, for remote controlled drains or for the installation of soap dispensers. The positions are marked on the drawings with dotted line holes.

---

## TECHNICAL DATA



## OPTIONAL ACCESSORIES



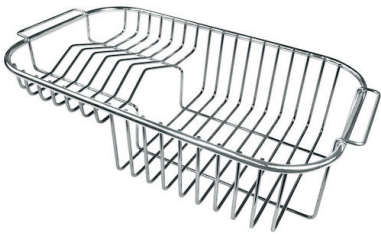
**HPDE Chopping board**  
8657 001



**Iroko-wood sliding chopping board**  
8643 000



**Stainless steel basket**  
8611 000



**Stainless steel plate rack**  
8100 301

## RECOMMENDED PAIRINGS



**Mixer Tap Lorenzo**  
8466 000



**Mixer Tap S1000 - RO**  
8443 002

## OPTIONAL AUTOMATIC WASTE FITTINGS



**Automatic waste fitting**  
8407 100



**Automatic waste fitting**  
8407 000



**LIRA automatic waste fitting**  
8407 102



**LIRA automatic waste fitting**  
8407 103